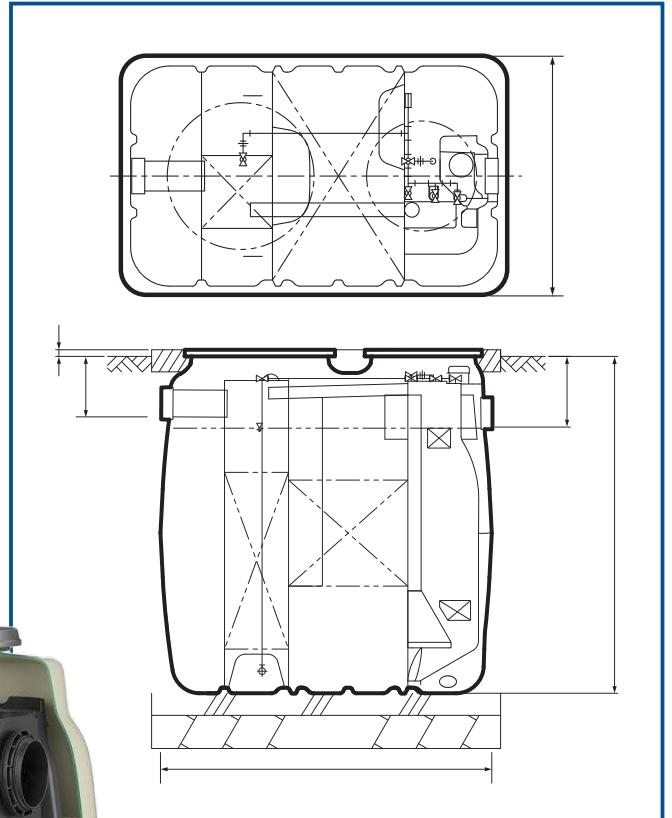


Kubota - It All Comes Together



For Earth, For Life
Kubota

- No odour ■
- Energy efficient treatment ■
- Trouble free operation ■
- Remote management ■
- Low visual impact ■

THE PINNACLE OF **WATER**
TREATMENT TECHNOLOGY

For Earth, For Life

The world's leading onsite sewage treatment plant manufacturer, Kubota, has chosen True Water to provide their products exclusively throughout Australia, New Zealand and the Pacific. The Kubota sewage treatment systems are easy to manage, cost effective and use uncomplicated technology to achieve the highest level of treatment and safety. Globally Kubota manufacture more than 50,000 treatment plants annually, with installation undertaken throughout the globe.

In 1890 Kubota's founders began manufacturing water infrastructure equipment and invested in creating superior products and technologies to assist the development of society. More than 120 years later Kubota is firmly established as an international leader in the water treatment industry. Kubota now provides advanced sewage treatment technologies to Europe, North America, Asia, the Middle East and Australia.

Central to Kubota's success is their focus on research and development and the continued endeavour to advance and improve their products. Kubota sewage treatment systems represent the most advanced technology available in the world today. Their treatment systems satisfy rigorous quality benchmarks and manufacturing standards guaranteeing quality, performance and longevity.

Kubota's long-standing company history and international performance combined with the quality and longevity of their products makes Kubota the ideal choice for high performance sewage treatment infrastructure projects. With their technology combined with our extensive knowledge of Australian/New Zealand regulations, environment and sewage, we offer unbeatable services and solutions.



"Contribute to social development and the conservation of the global environment through products, technology, and services that support both comfortable lifestyles and the foundation of our societies in an aim at solving the worldwide problems of food, water, and the environment".

Masatoshi Kimata – President and Representative Director Kubota

World Leaders In Sewage Treatment

- ✓ **Over 120 years of manufacturing excellence**
- ✓ **World leaders in water technologies**
- ✓ **Global security**

